

KEY FEATURES

- 1,4" exit (36 mm) high frequency compression driver
- 4" (100 mm) voice coil diameter
- 200 W program power above 500 Hz
- Sensitivity: 112 dB, 2,83 V @ 1 m
- Integral pure Titanium diaphragm
- Lightweight aluminium voice coil
- Aluminium cover
- Neodymium magnet

TECHNICAL SPECIFICATIONS

Throat diameter	36 mm.	1,4 in.
Rated impedance		8 Ω
D.C. resistance		5,6 Ω
Power capacity*	100 W _{AES} above 500 Hz	
	150 W _{AES} above 1,2 kHz	
Program power	200 W above 500 Hz	
	300 W above 1,2 kHz	
Sensitivity**	112 dB	2.83v @ 1m
	coupled to TD-365	
Frequency range	0,5 - 20 kHz	
Recommended crossover	0,5 kHz or higher (12 dB/oct min.)	
Voice coil diameter	100 mm	4 in
Magnetic assembly weight	3,6 kg	7,9 lb
Flux density	2 T	
BL factor	16,5 N/A	

MOUNTING INFORMATION

Overall diameter	160 mm	6,29 in
Depth	80 mm	3,14 in
Mounting	Four M6 threaded holes, 90° apart on 101,6 mm (4") diameter circle	
Net weight	4,3 kg	8,81 lb
Shipping weight	4,8 kg	10,57 lb

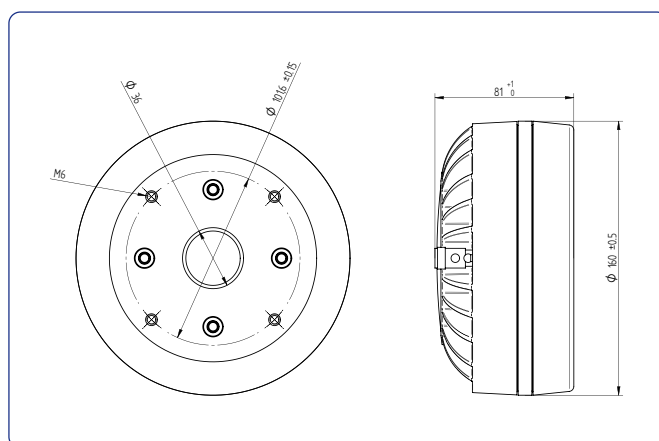
Notes:

* The power capacity is determined according to AES2-1984 (r2003) standard. Program power is defined as the transducer's ability to handle normal music program material.

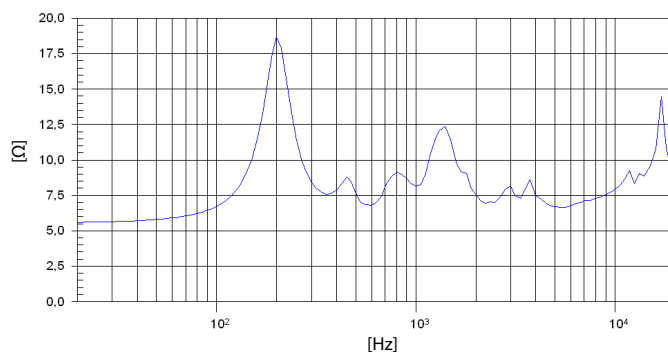
** Sensitivity was measured at 1m distance, on axis, with 2,83 V input, averaged in the range 1 - 7 kHz.



DIMENSION DRAWINGS

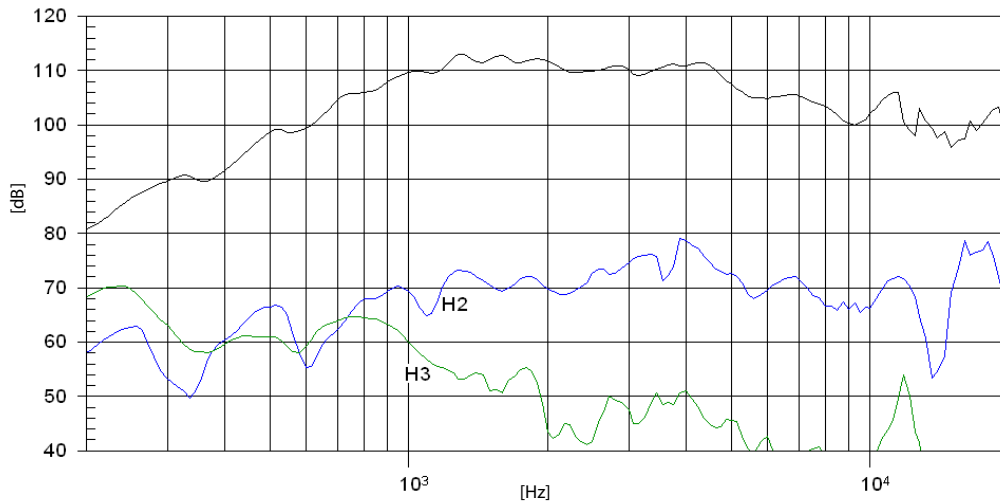


FREE AIR IMPEDANCE CURVE

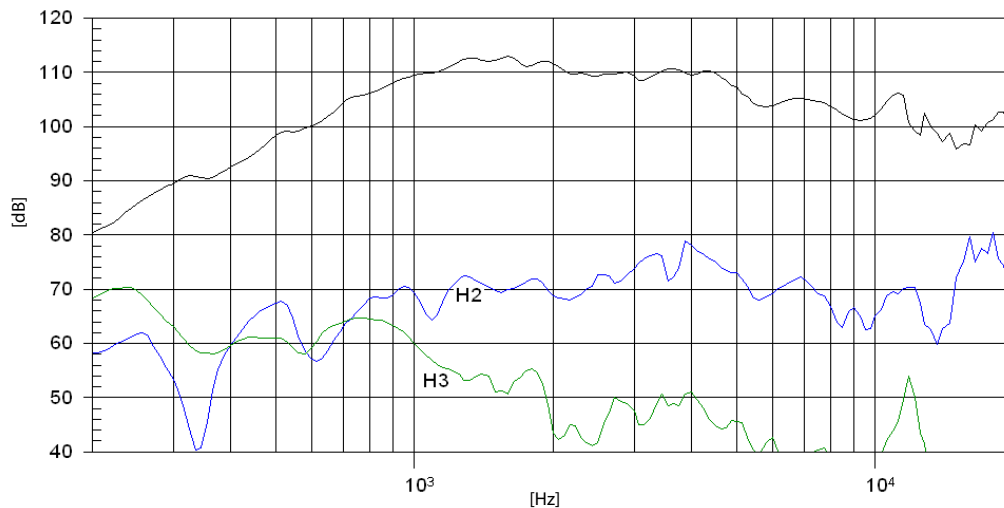


Note: Electrical impedance measured coupled to TD-385 horn

FREQUENCY RESPONSE AND DISTORTION



Note: On axis frequency response measured coupled to TD-365 horn in anechoic chamber, 2,83 v @ 1m



Note: On axis frequency response measured coupled to TD-385 horn in anechoic chamber, 2,83 v @ 1m